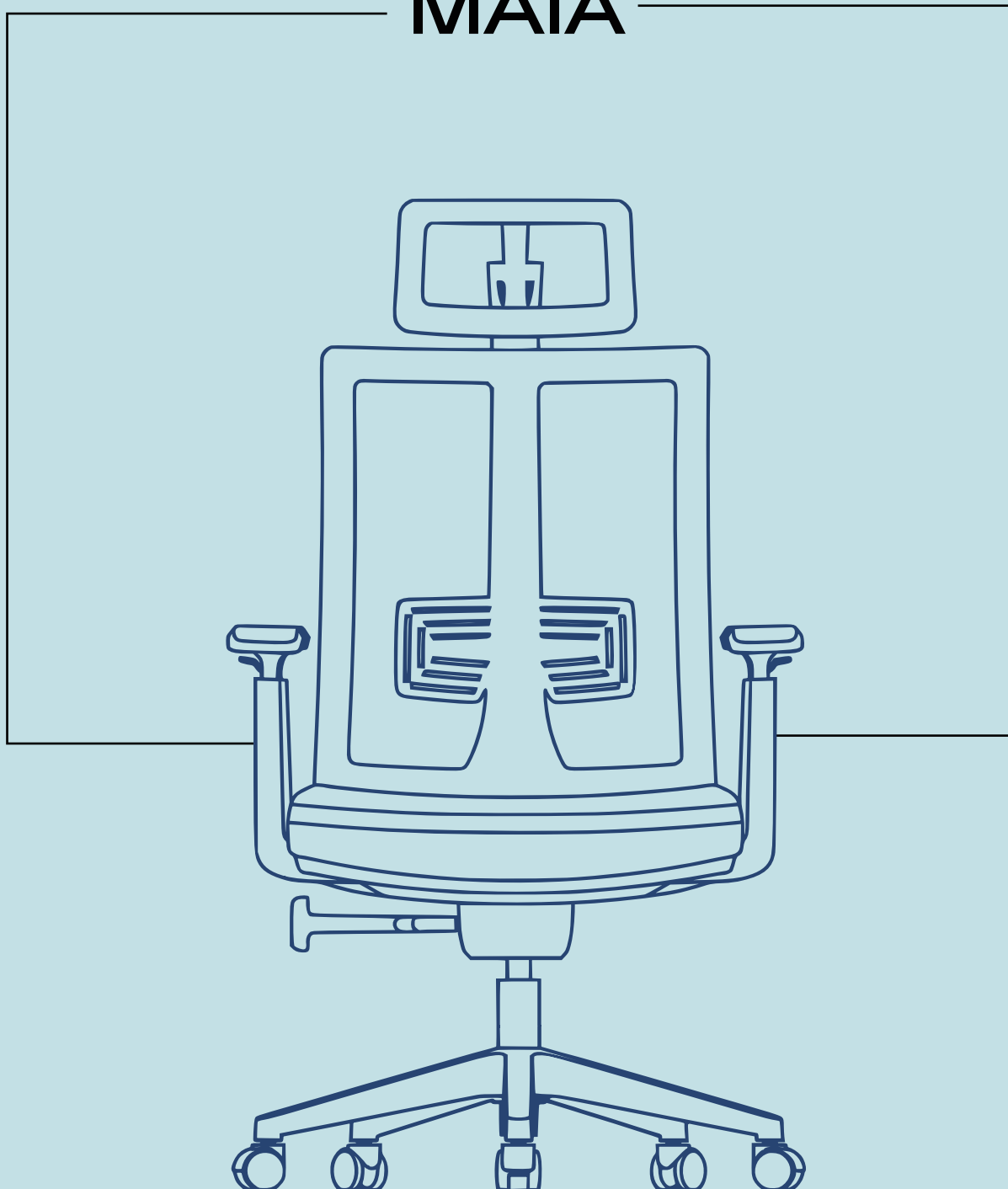
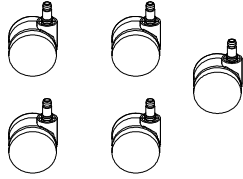


ASSEMBLING INSTRUCTION

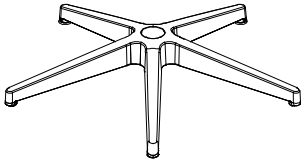
MAIA



5 PCS of Casters



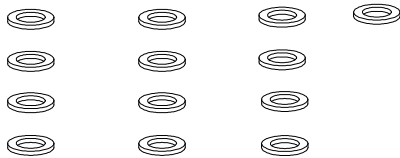
1 PCS of five-star base



1 PC of Gas Lift



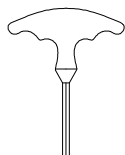
13 PCS of Washers



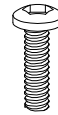
3 PCS of Washers



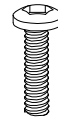
1 PCS of Assembly Tool(5#)



A: 8 PCS of M6*45MM Screws



B: 2 PCS of M6*50MM Screws

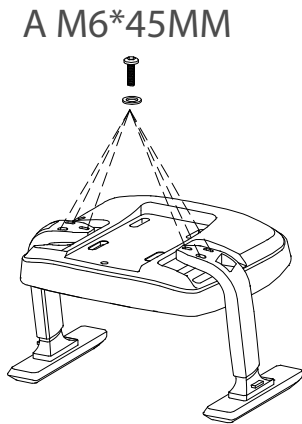


C: 3 PCS of M8*25MM Screws



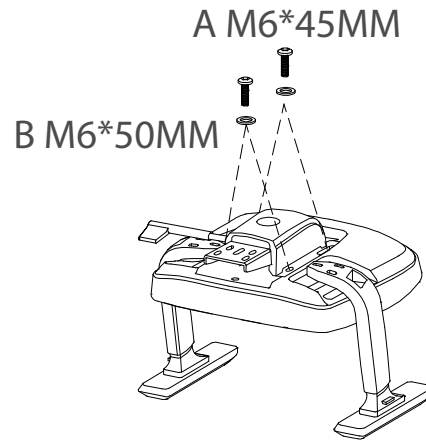
Step 1:

Attach the M6*45MM screws (A) with washers to connect the armrests to the chair frame.



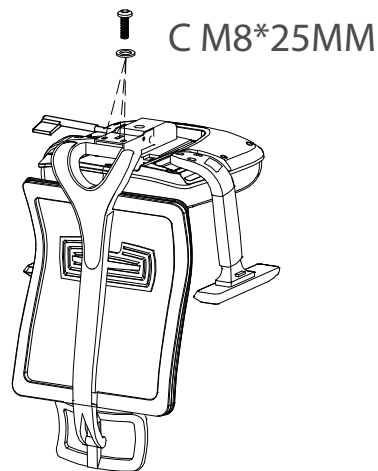
Step 2:

Attach the M6*45MM screws (A) and M6*50MM screws (B) to connect the seat cushion to the chair mechanism.



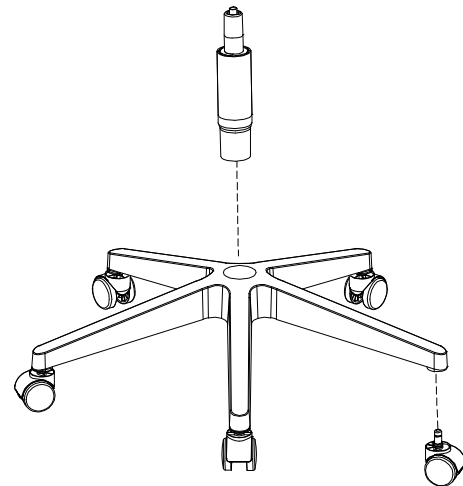
Step 3:

Attach the M8*25MM screws (C) with washers to connect the backrest frame to the base mechanism at the top.



Step 4:

Attach the gas lift and casters to the five-star base as shown in the image.



Step 5:

Finally, Connect the parts from step 3 and step 4 together and ensure all parts are tightened correctly.

