

ABOUT US



At CHAIRITEC, we believe the right chair isn't just about sitting — it's about support, performance, and innovation working in perfect sync. Based in the United States and led by seasoned industry expertise, we specialize in supplying premium office chairs, components, and accessories designed for the evolving needs of today's workplaces.

We combine cutting-edge technology, ergonomic insight, and precision craftsmanship to create products that don't just meet industry standards — they set them. Whether you're equipping a modern office, upgrading existing workspaces, or looking for reliable parts and solutions, CHAIRITEC is your trusted partner for smart, forward-thinking seating.

Born from the fusion of "chair" and "technology", our name reflects our mission: to deliver comfort you can feel, and innovation you can rely on — every single day.



CARINA PRODUCTS

Introduction - Carina

Carina office chair is crafted for precision and comfort, seamlessly merging advanced ergonomic support with a sleek, contemporary design. Featuring a breathable mesh back and fully adjustable components, Carina delivers the perfect harmony of comfort, functionality, and style for modern, dynamic workspaces.

CARINA

Carina by Chairitec blends contemporary style with ergonomic excellence, providing lasting comfort for everyday use. Its breathable mesh back with lumbar support, adjustable headrest, and height-adjustable armrests make it perfect for professional workspaces. The high-density foam seat delivers extra comfort, while the durable nylon base with smooth-rolling casters ensures stability, mobility, and long-term reliability.



Crafted for the modern office, Carina chair exudes sophistication and elegance, elevating any contemporary workspace. Its refined neutral tones seamlessly integrate with diverse office décors, while fully adjustable seat height and armrests allow each user to achieve a personalized fit.



Carina ensures unparalleled comfort and promotes productivity, making it the ultimate choice for discerning professionals.

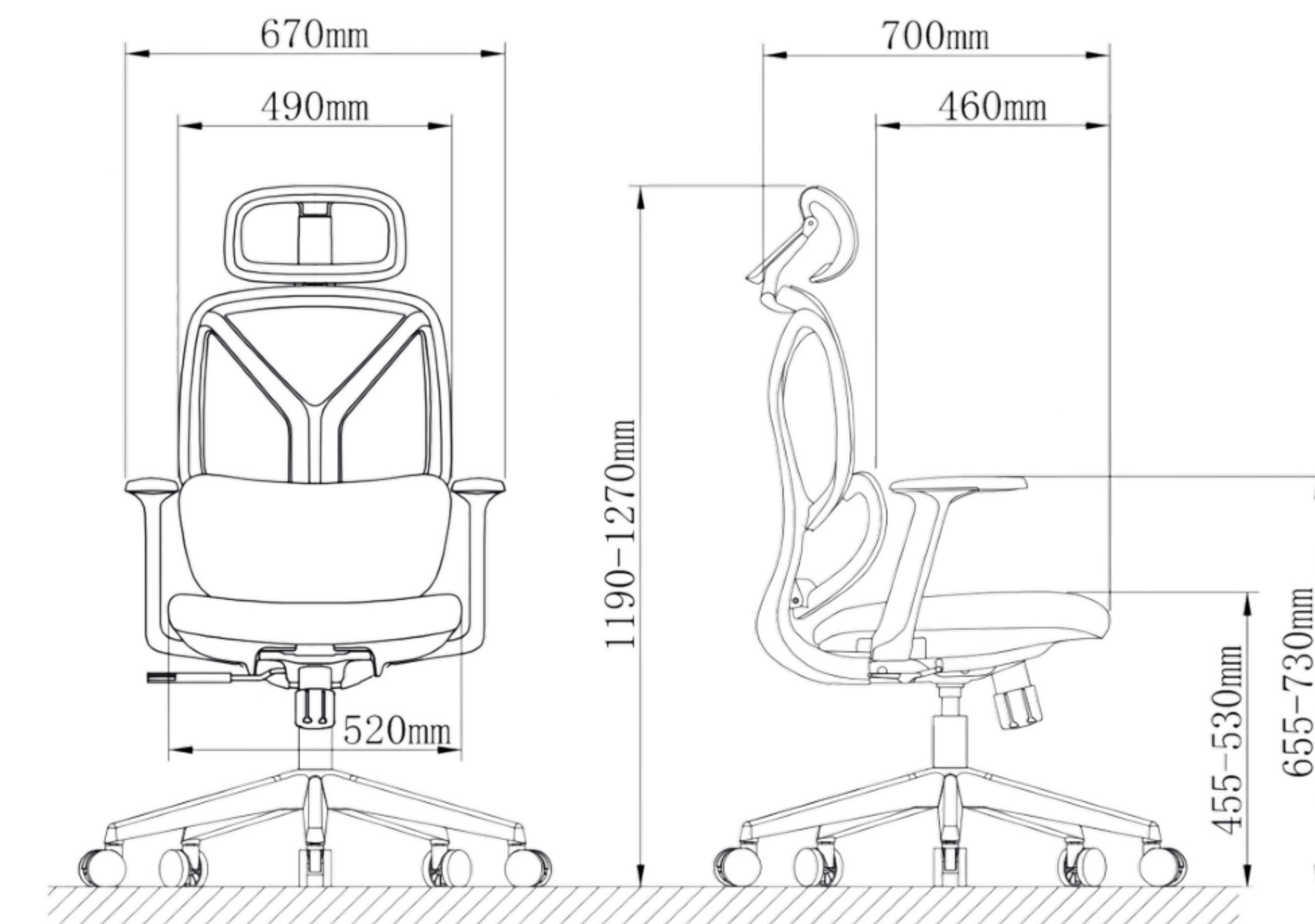


BREATHABLE MESH BACK

Elevate your workspace with Carina chair — where modern elegance meets unmatched comfort. Fully adjustable for a personalized fit, it's the perfect choice for professionals who value style and productivity.



Experience the perfect blend of style and support with Carina chair. Its airy mesh back, adaptable headrest, and customizable armrests create a workstation tailored to you. Offered in sleek gray and classic black, Carina transforms any office into a space of sophistication and comfort.



SOLENNE PRODUCTS

Introduction – Solenne

Meet Solenne, where minimalist elegance meets innovative ergonomic design. Highlighted by its distinctive tree-trunk-inspired back, Solenne delivers essential comfort with a striking visual appeal. Perfect for modern workspaces, it combines functionality and style without compromise.

SOLENNE

SOLENE by Chairitec seamlessly blends the elegance of nature with cutting-edge ergonomic design. Its backrest, inspired by the strength and form of tree branches, paired with durable mesh, delivers exceptional aesthetics, personalized comfort, and effortless workplace sophistication.



Designed to support your body's natural alignment, Solenne features a sculpted mesh backrest that conforms to your posture, relieving pressure on the spine. Its gracefully flowing frame cradles the back while maintaining flexibility, promoting healthy movement and all-day comfort.



Solenne features fully height-adjustable armrests, tailored to suit any task or desk height. Whether typing, collaborating, or reclining, they provide dependable support while easing tension in your shoulders and arms, ensuring all-day comfort.

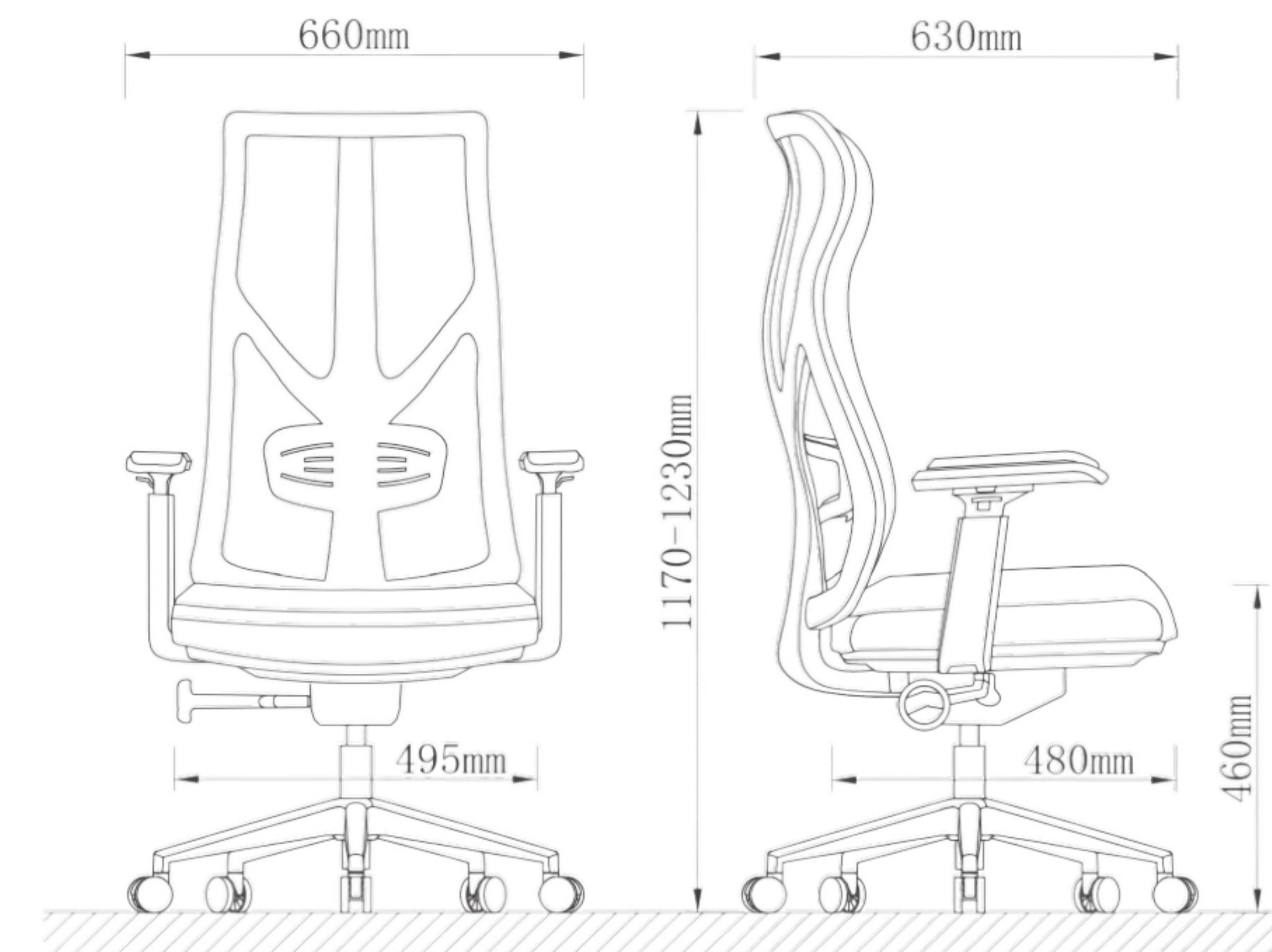


DYNAMIC RECLINE

Solenne chair offers a harmonious blend of minimalist design and superior comfort. Its elegantly sculpted mesh backrest adapts to your posture, providing support throughout the day, while fully adjustable components—including armrests and seat height—allow a personalized fit for every user. Solenne effortlessly complements modern office environments, combining style, functionality, and enduring comfort in one refined package.



Solenne chair is crafted to move with you, combining ergonomic intelligence with sophisticated design. Its elegantly contoured backrest supports your natural posture, while adjustable armrests and seat height ensure a tailored fit for every individual. Thoughtfully designed to reduce fatigue and enhance focus, Solenne transforms any workspace into a place of comfort, style, and productivity throughout the day.





NOVA

PRODUCTS

Introduction – Nova

Designed for comfort and durability, Nova chair combines a square frame with a modern profile. Its breathable mesh back keeps you cool, while the cushioned foam seat provides exceptional support from thigh to knee. Adjustable armrests allow for personalized positioning, and the sturdy structure ensures long-lasting performance, making it an ideal choice for offices that value both space efficiency and ergonomic comfort.

NOVA

Nova by Chairitec combines ergonomic precision with a sleek, contemporary aesthetic to provide lasting comfort throughout the day. Its breathable mesh back with built-in lumbar support, and height-adjustable 3D armrests offer personalized support for any workspace. The high-density foam seat ensures superior comfort, while the durable base and smooth-rolling casters deliver effortless mobility and long-term reliability.



Nova office chair is crafted for professionals who value both aesthetics and performance. With its minimalist design and versatile neutral tones, Nova integrates effortlessly into any workspace from modern corporate offices to creative studios and home offices. Adjustable height and armrests allow for personalized comfort, ensuring proper posture and support throughout the workday.



Built for lasting performance, Nova chair features a sturdy base and a premium mesh back that endure the demands of daily office use. Its smooth-gliding casters allow effortless mobility which delivers a personalized seating experience that enhances comfort and productivity throughout the day.

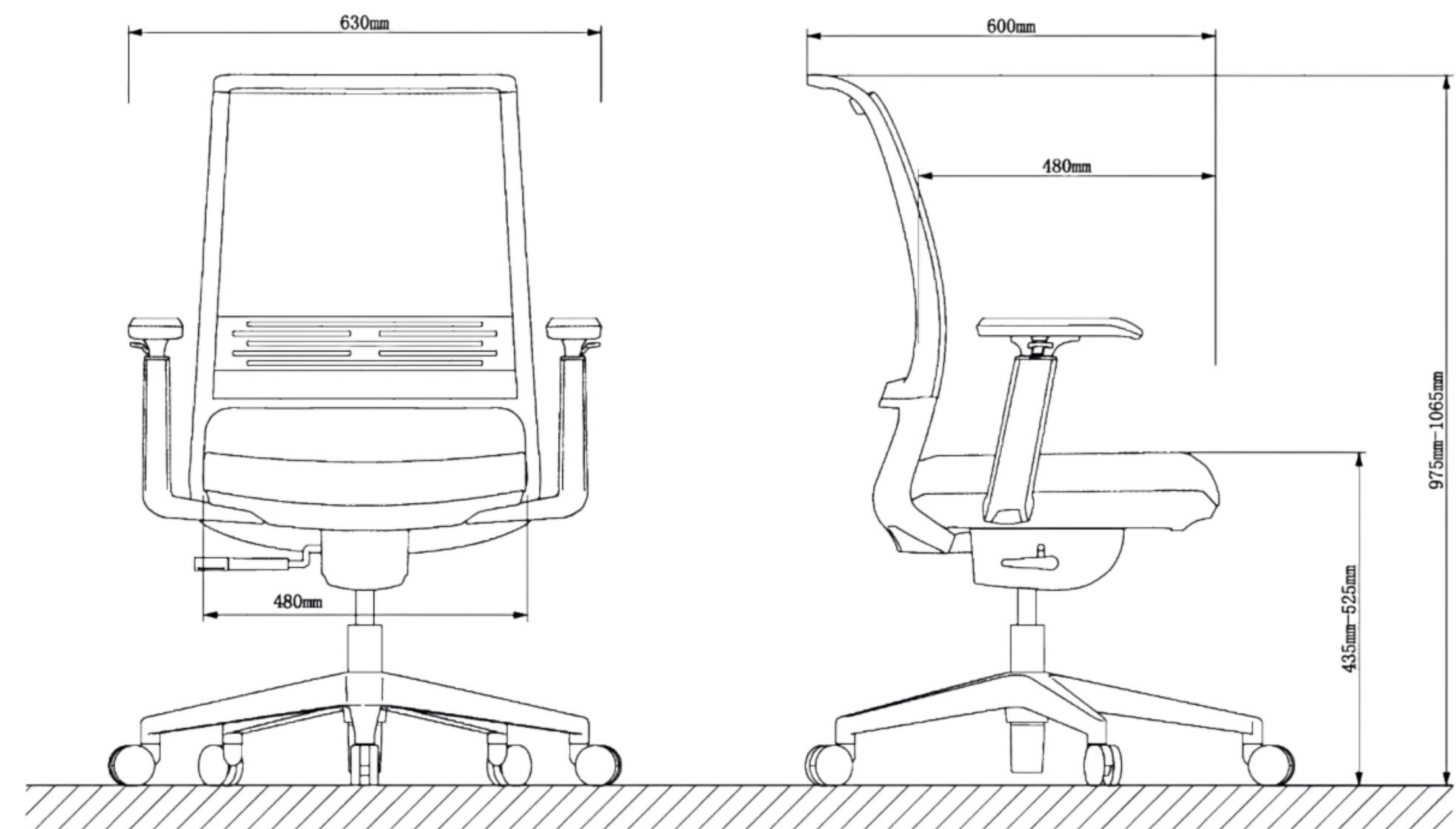


HEIGHT ADJUSTMENT

Nova chair brings modern elegance to any workspace with its clean lines and versatile color palette. Designed for both focus and flexibility, it provides exceptional comfort and ergonomic support whether during long work sessions or collaborative meetings. Nova is the ideal choice for professionals who seek a balance of refined design and all-day performance.



For professionals who value personalized options, Nova chair offers exceptional ergonomic flexibility. Its premium mesh back enhances airflow and breathability, while adjustable settings allow each user to find their ideal sitting position—ensuring lasting comfort and improved productivity throughout the day.





SITRO

PRODUCTS

Introduction – Sitro

Sitro mesh chair unites ergonomic performance with modern design simplicity. Featuring a breathable mesh seat and backrest, it provides lasting comfort and ventilation during long hours of use. The 5D adjustable armrests offers complete support and durable metal chrome base ensures strength and stability.

Equipped with a smooth gas lift and 50mm chrome-ring PU casters, Sitro delivers effortless mobility and contemporary elegance for any workspace. Sitro provides exceptional comfort and support, making it the ideal choice for professionals who value both style and ergonomic benefits in their workspace.

SITRO

Sitro by Chairitec blends contemporary design with ergonomic precision to deliver comfort and durability for everyday use. Its fully breathable mesh seat and backrest provide exceptional airflow and tensile support, maintaining comfort even during long hours of sitting. With an adjustable headrest, height-adjustable armrests, and built-in lumbar support, Sitro adapts seamlessly to different users. The sturdy black nylon base with smooth-rolling casters ensures stability and effortless mobility across any workspace.



Sitro office chair is designed for professionals who seek both refined style and reliable performance. Its modern design and neutral black and gray frame integrate effortlessly into any workspace. Ergonomic features such as adjustable height and armrests allow for personalized comfort, promoting better posture and sustained productivity throughout the day.



Built for long-hour reliability, Sitro chair features a durable frame with a high-quality mesh back and a metal base, engineered to perform in active work environments. Its smooth-rolling casters provide effortless mobility across different floor surfaces, ensuring flexibility and ease of movement throughout the day.

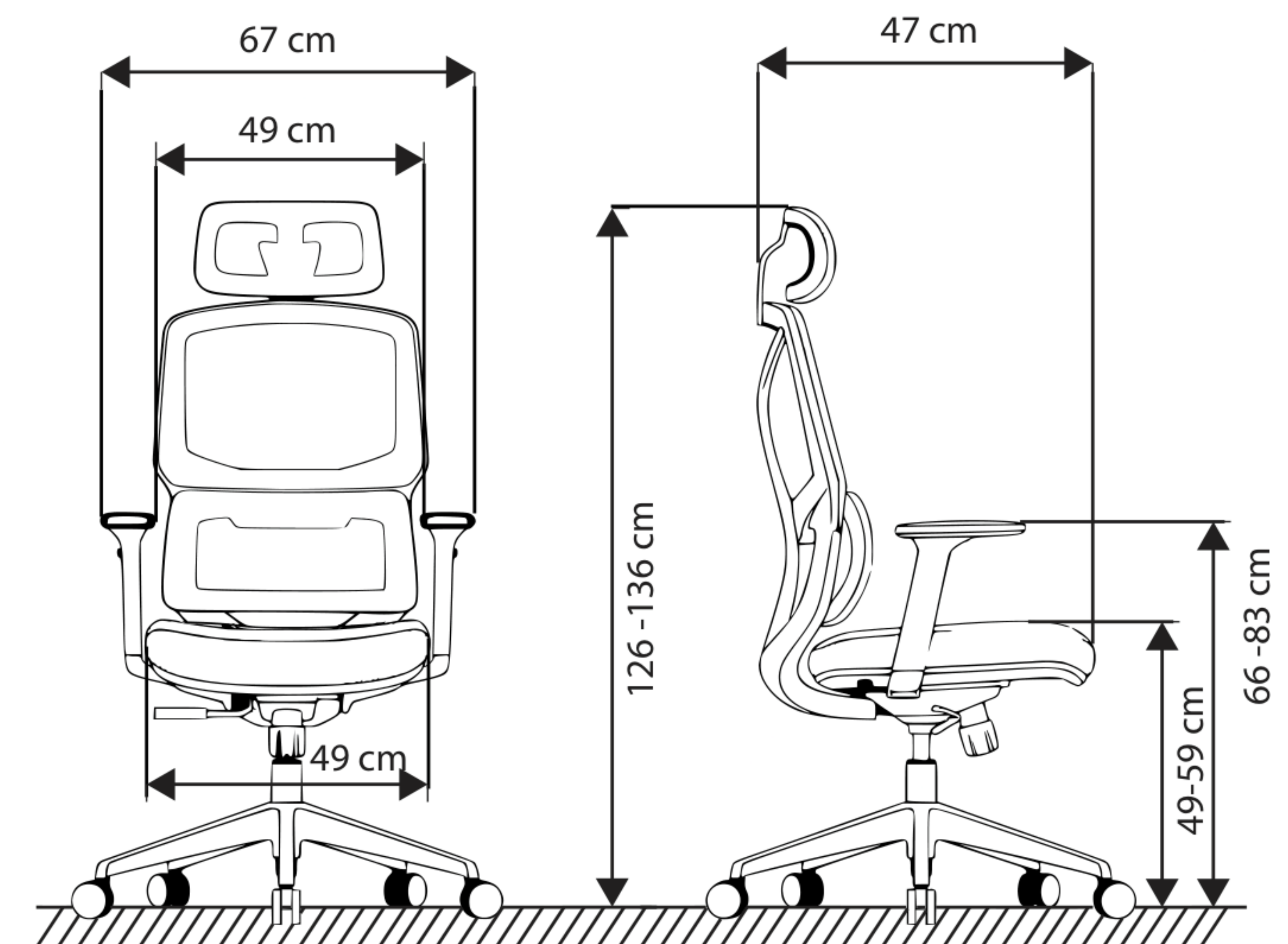


STYLISH APPEARANCE

Sitro enhances any workspace by combining style with functionality. Its streamlined profile and ergonomic features deliver exceptional comfort and support, making it ideal for both corporate offices and home work environments.



For professionals who value adaptable comfort, Sitro chair's ergonomic design allows effortless adjustments to achieve the ideal seating position. Whether working long hours or participating in meetings, Sitro provides the support needed to stay focused, comfortable, and productive throughout the day.



ORIONA PRODUCTS

Introduction – Orion

Orion chair represents the pinnacle of ergonomic innovation and modern design. Equipped with a multi-functional headrest, 5D adjustable armrests, and a built-in coat hanger, it's crafted to meet the highest standards of comfort and practicality. The high-tensile mesh seat and backrest provide exceptional breathability and support, while the extendable footrest allows you to fully relax during breaks. Designed for professionals who demand performance and sophistication, Orion brings unmatched flexibility, durability, and style to any workspace.

ORIONA

Oriona by Chairitec combines ergonomic precision with contemporary elegance to deliver lasting comfort throughout the workday. Its breathable mesh back with built-in lumbar support, adjustable headrest, and height-adjustable armrests provide customized support for a variety of work environments. Chrome-plated base and smooth-rolling casters offer durability, stability, and effortless mobility.



Oriona enhances any work environment with its balance of comfort, style, and functionality. Perfect for dynamic offices, executive spaces, or home workstations, it brings a sense of refinement and professionalism to every setting. By promoting healthy posture and seamless movement, Oriona helps create a workspace where comfort meets productivity.

Built for durability and everyday performance, Oriona chair features a strong chrome base and smooth-rolling casters that ensure stability and effortless mobility across any surface. Its premium materials and meticulous construction guarantee long-term reliability, making it an excellent choice for professionals who value both comfort and quality in their workspace.

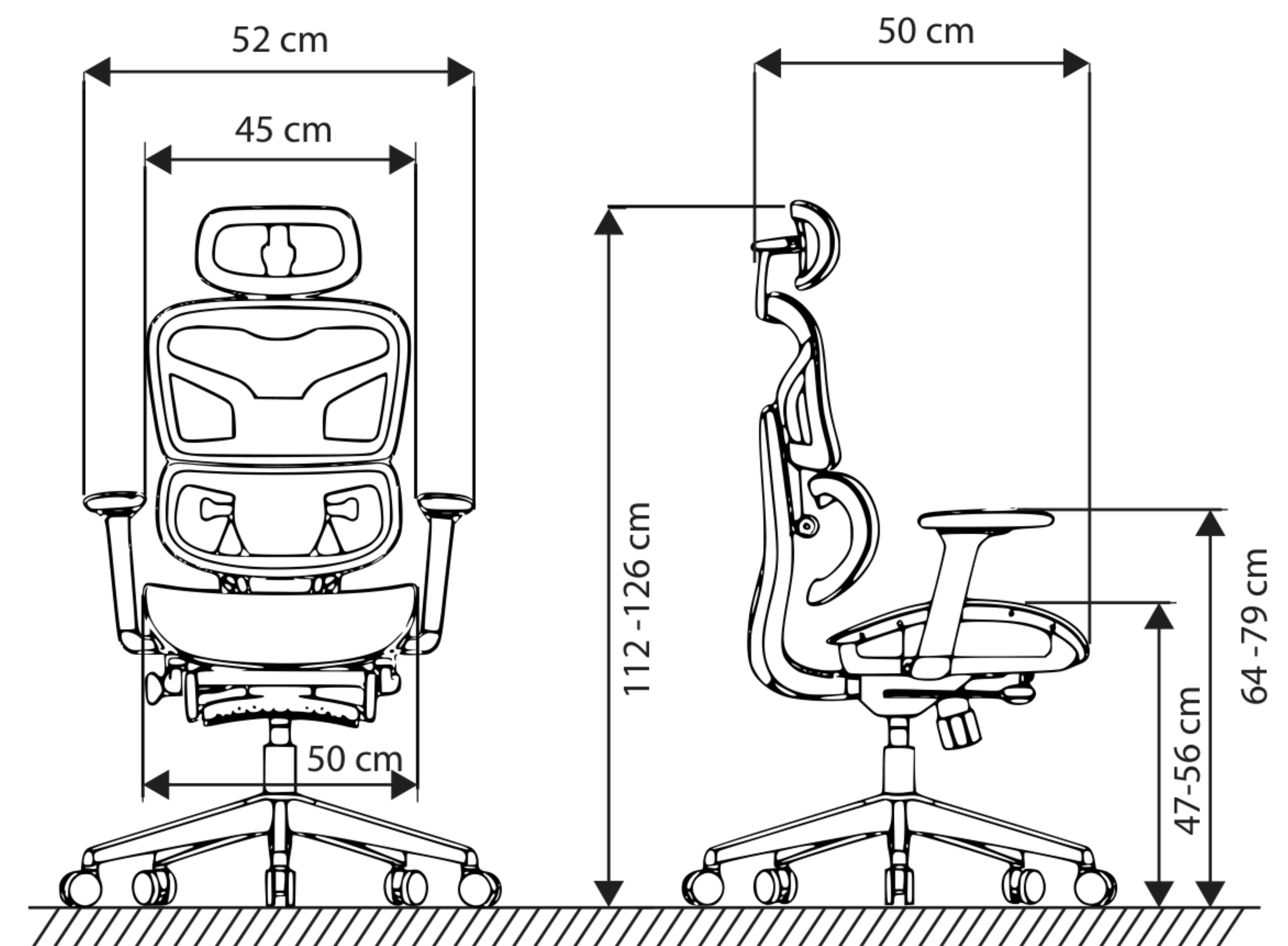


DYNAMIC RECLINE

Blending ergonomic functionality with refined design, Orion's breathable mesh back, combined with a fully adjustable headrest and lumbar support, delivers exceptional comfort and adaptability throughout the workday. Finished in timeless black and gray frame, it offers both style and performance in perfect harmony.



Engineered for performance and built to last, Orion chair embodies the perfect balance of design, comfort, and reliability. Its premium materials make it an excellent addition to any contemporary workspace. More than just a chair, Orion represents a commitment to well-being, productivity, and enduring style in today's evolving work environments.



MAIA PRODUCTS

Introduction – Maia

Maia chair blends refined design with ergonomic intelligence, creating a perfect balance of comfort and elegance. Its distinctive square frame, accentuated by a chrome-finished ABS detail, adds a touch of sophistication to any workspace. Featuring a breathable mesh back, a plush cushioned seat, and intuitive adjustments, Maia ensures lasting comfort for both focused work and relaxed meetings — where subtle shine meets everyday performance.

MAIA

MAIA by Chairitec redefines modern office seating through a seamless fusion of ergonomic innovation and contemporary style. Its distinctive glossy ABS shell, elegantly contoured back frame, and integrated headrest deliver both visual appeal and functional precision. With adjustable armrests and a dynamic lumbar support system, MAIA promotes perfect spinal alignment and lasting comfort—empowering productivity and elegance in every workspace.



Ergonomically crafted to provide exceptional comfort during long working hours, Maia chair is designed with attention to the body's natural posture and support needs. Its contoured structure ensures that users maintain a balanced and relaxed seating position throughout the day.



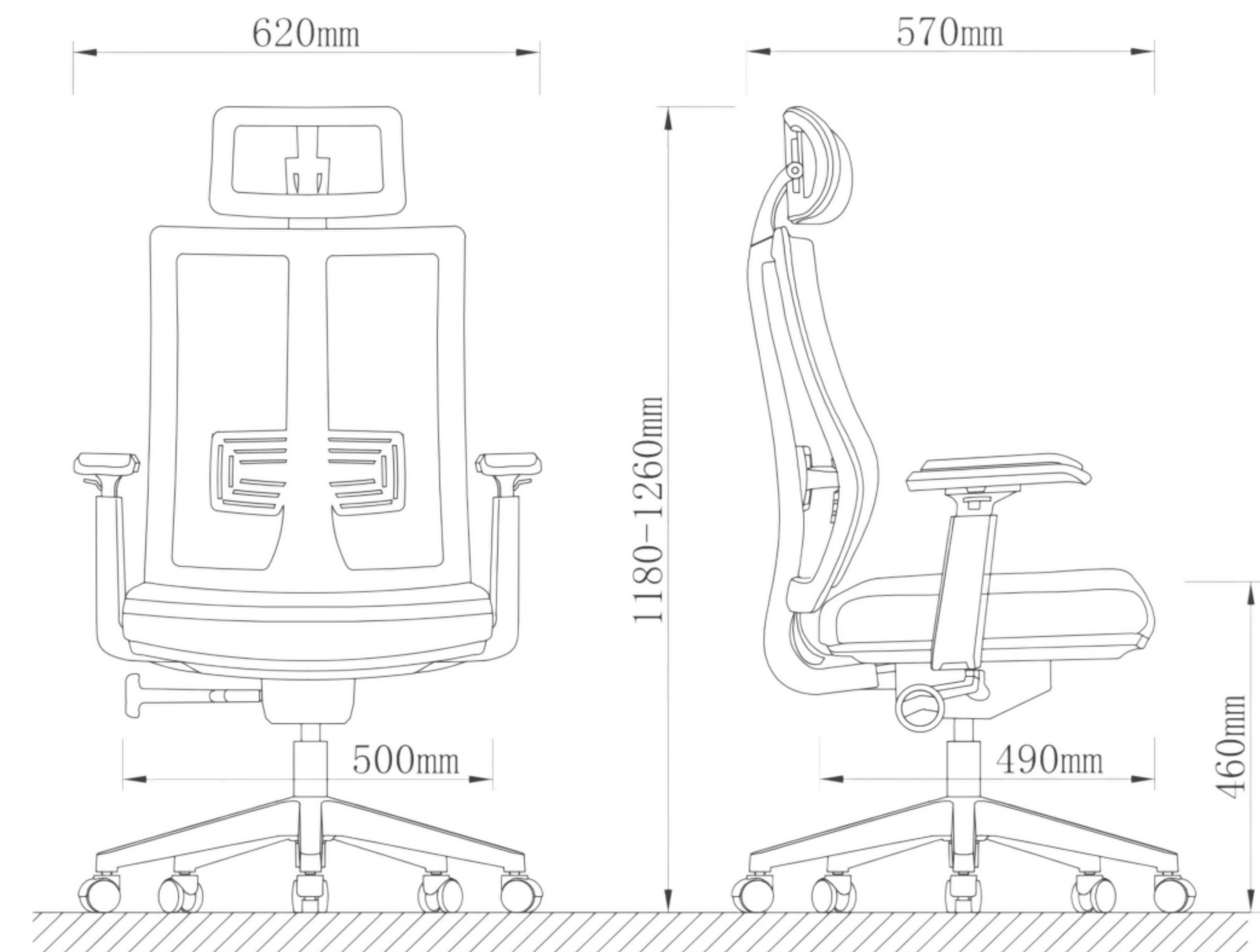
The chair's curved backrest follows the natural shape of the spine, helping to reduce back strain and minimize pressure on sensitive areas. This thoughtful design promotes a healthier sitting experience, making long periods of work more comfortable and supportive.

COMFORTABLE SEAT CUSHION

Maia offers smooth and effortless height adjustment, allowing every user to easily find their ideal sitting position. Whether working at a desk or participating in a collaborative environment, the chair adapts seamlessly to different tasks and preferences.



This adaptable design provides personalized comfort by accommodating a wide range of seating needs. With consistent and long-lasting support, Maia is an excellent choice for individuals who spend extended hours at work.





ALTAIR PRODUCTS

Introduction – Altair

Altair chair features a distinctive three-segment backrest that delivers comprehensive ergonomic support for the head, upper back, and lumbar regions. This innovative design ensures exceptional comfort while giving the chair a modern, executive look—perfectly suited for premium offices and workspaces.

ALTAIR

Altair by Chairitec features a distinctive three-segment padded backrest, providing tailored support for the head, upper back, and lumbar regions. Upholstered in premium fabric or leatherette—shown here in deep navy leatherette—it seamlessly combines executive style with all-day comfort. Smooth-rolling casters ensure stability and effortless mobility, making Altair a sophisticated choice for premium workspaces.



Seamlessly blends style, ergonomics, and functionality Altair is ideal for managerial offices, conference rooms, or refined home workspaces, it elevates any environment with its elegant design and exceptional comfort, creating a premium and productive workspace experience.



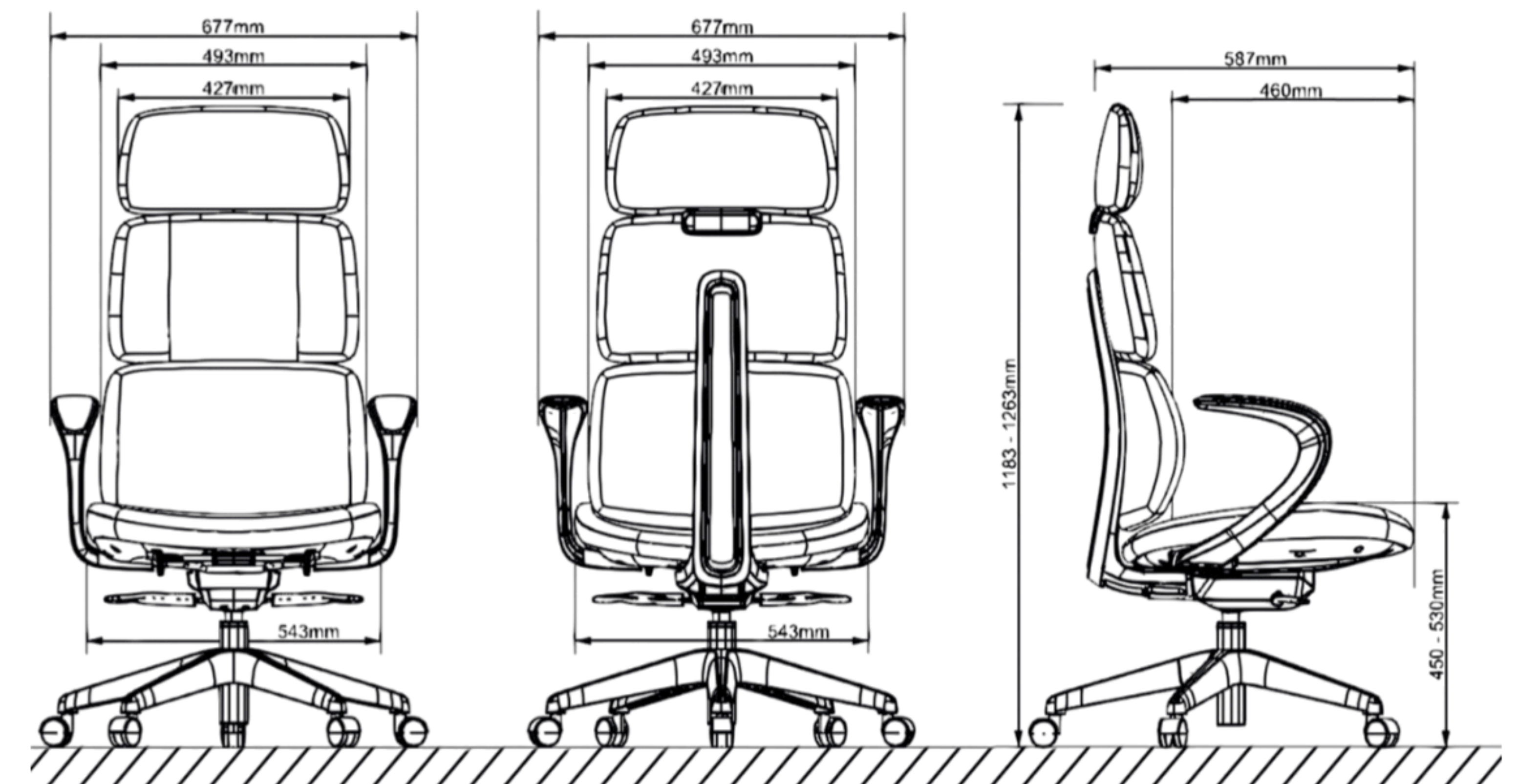
Altair chair adapts effortlessly to different working postures for all-day use. Its robust five-star nylon base, paired with smooth-rolling casters, delivers stability, durability, and effortless mobility across any office floor.

ERGONOMIC DESIGN

Altair chair combines comfort and functionality for extended use. Its three-segment backrest supports the head, upper back, and lumbar regions, while high-quality upholstery and a design make it suitable for professional office environments. Ergonomic features ensure proper posture and lasting comfort throughout the day.



Designed for efficient, all-day use in professional settings, Altair's three-segment backrest provides targeted support, while the high-quality upholstery and sturdy frame ensure durability. Fixed and adjustable features work together to maintain proper posture, making Altair a practical and reliable choice for busy offices and conference rooms.





DIYA

PRODUCTS

Introduction – Diya

Designed for modern spaces where every inch counts, DIYA combines comfort with efficiency. Its ergonomic form gently supports the body's natural posture, encouraging an upright and relaxed sitting position. With a fixed armrest design and a comfortably contoured seat, it's the ideal choice for conference rooms, meeting areas, and smaller office environments that value both style and smart use of space.

DIYA

DIYA by Chairitec delivers a compact yet striking design, perfectly suited for modern offices where space is at a premium. Its fixed armrests with integrated PU cover offer both comfort and style, while the ergonomic structure ensures proper posture during long meetings. DIYA adapts effortlessly to different workspace aesthetics and functional needs.



DIYA office chair blends modern elegance with ergonomic performance. Its sleek silhouette, breathable premium mesh backrest, and refined detailing enhance any workspace with a contemporary look. Designed for all-day comfort and lasting support, DIYA perfectly balances modern aesthetics with everyday functionality.



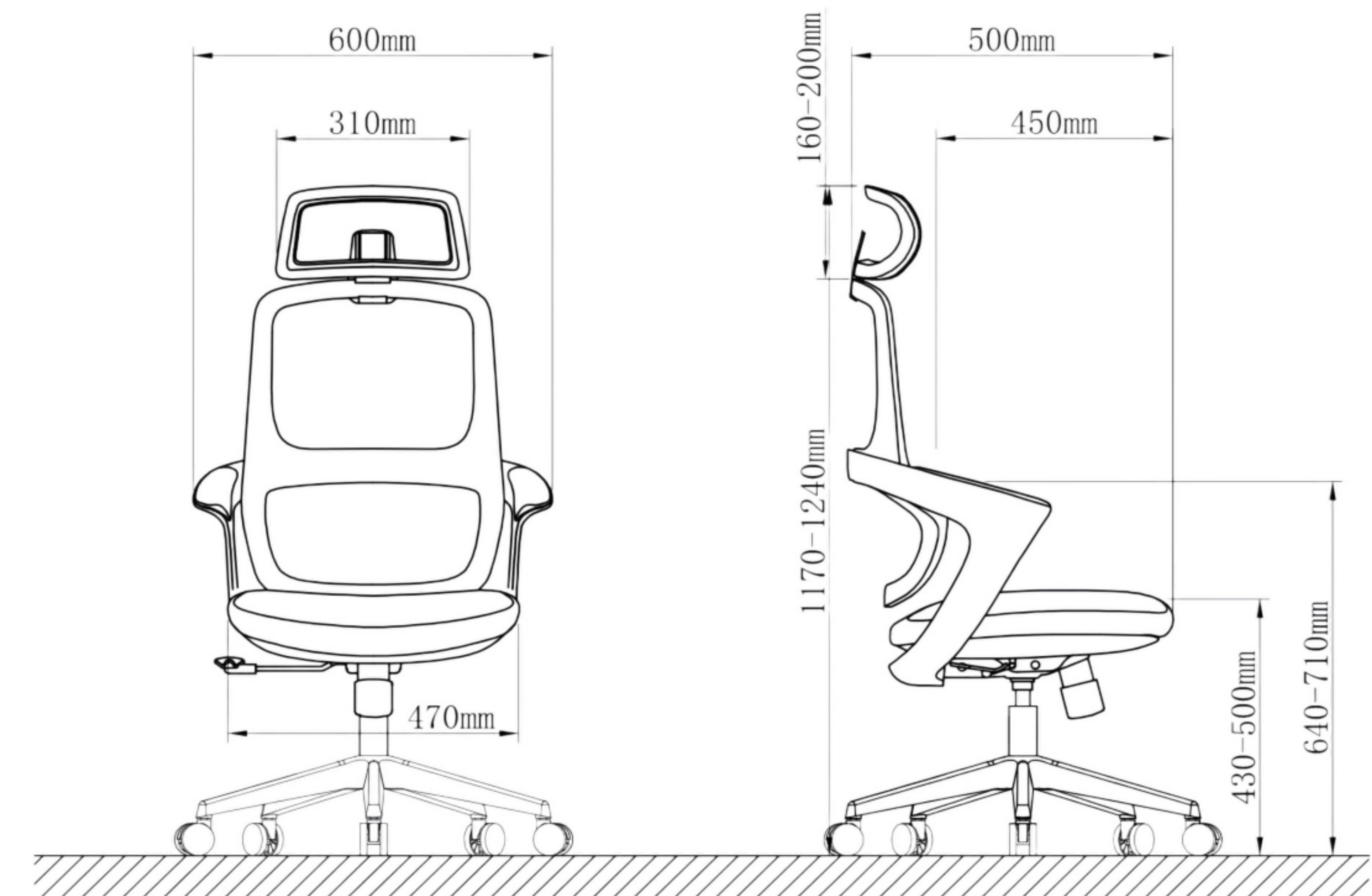
As an ideal solution for compact spaces DIYA provides ergonomic support without sacrificing style. Its clean, modern lines, fixed armrests, and sleek mesh back create a visually appealing addition to any office. With a customizable base available in nylon or steel, DIYA offers both durability and adaptability, seamlessly fitting into diverse work environments.

BREATHABLE MESH BACK

Whether for focused work or casual meetings, DIYA delivers exceptional comfort and support. Its thoughtfully designed structure makes it suitable for a wide range of activities throughout the workday.



The chair allows for easy adjustments to create a personalized seating experience that enhances productivity. At the same time, its clean design seamlessly complements the style of any workspace.





LYVO PRODUCTS

Introduction – Lyvo

Lyvo chair blends modern aesthetics with advanced ergonomic support, making it an excellent choice for offices of any scale. Its streamlined silhouette and integrated armrest frame create a cohesive, contemporary look, while the breathable mesh backrest ensures continuous airflow for long hours of productivity. Paired with a high-density foam seat cushion for superior comfort, Lyvo achieves the perfect harmony of style, performance, and everyday usability.

LYVO

LYVO by Chairitec combines contemporary styling with intelligent ergonomic performance. Its refined silhouette, breathable premium mesh back, and fully adjustable headrest work together to deliver all-day support and comfort. Designed with clean lines and an understated elegance, Lyvo integrates effortlessly into any professional workspace while providing the advanced ergonomic features needed for long, productive hours.



Lyvo office chair is designed for maximum comfort and adaptability. Its integrated armrests—firmly connected to the chair's main frame—enhance overall stability and durability while maintaining a modern aesthetic. The adjustable headrest allows users to personalize their seating experience, ensuring proper support throughout the day. Whether you're working, meeting, or taking a break, Lyvo reduces fatigue, promotes healthy posture, and delivers the reliability every workspace needs.



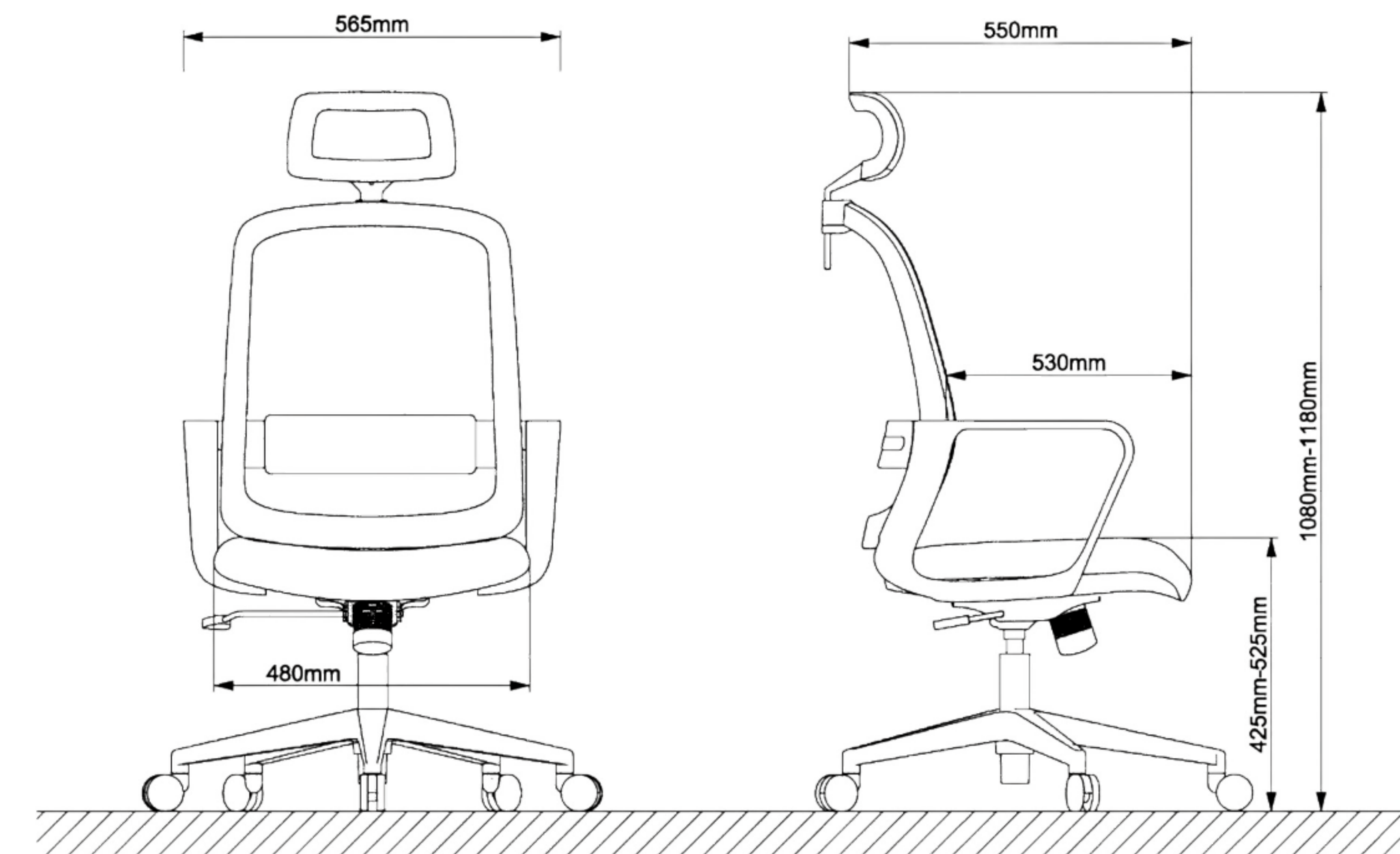
Designed for long-term performance, Lyvo chair is crafted from high-quality materials that ensure exceptional durability and stability. Its robust nylon or steel base delivers a secure and dependable foundation, while the smooth-rolling casters allow effortless movement across various floor surfaces. Ideal for workspaces where comfort, strength, and reliability are essential, Lyvo is built to support everyday use with confidence.

DURABLE FRAME

Lyvo chair is designed not only for comfort but also for exceptional flexibility. Its adjustable features allow users to fine-tune their seating position with ease, ensuring personalized support throughout the day. Lyvo is an ideal choice for both home offices and corporate workspaces—enhancing productivity while elevating the overall look of any environment.



Whether for intense work sessions or casual meetings, Lyvo chair ensures a premium seating experience. Its thoughtful design incorporates adjustable features, making it easy to create a personalized seating setup. With its blend of comfort, style, and functionality, it is the perfect chair to complement any workspace.





CALISTO

PRODUCTS

Introduction – Calisto

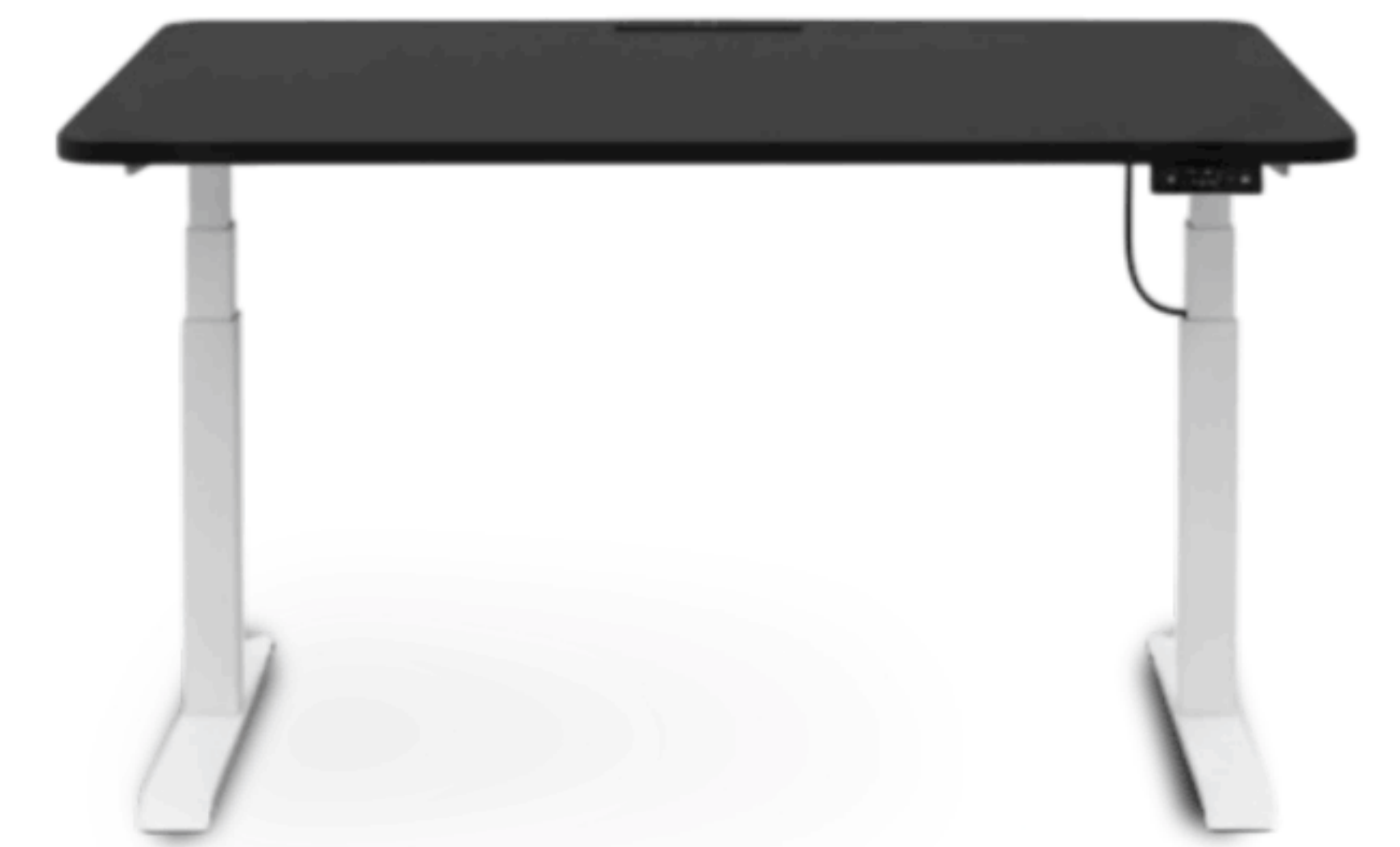
Chairitec adjustable desk, Calisto, redefines the modern workspace with its sleek design and intelligent functionality. Equipped with an electric height-adjustment system and a programmable memory function, it allows users to effortlessly switch between sitting and standing positions at the touch of a button. Perfect for both home offices and professional environments, this desk promotes healthier work habits, enhances productivity, and adapts seamlessly to your preferred working style. Engineered for stability, durability, and everyday comfort, it's the ideal choice for those who value performance and design in equal measure.

CALISTO

With its minimalist silhouette and refined finishes, Chairitec Adjustable Desk brings a touch of sophistication to any workspace. Crafted with precision and premium materials, it complements both modern and classic interiors while maintaining a clean, professional aesthetic. Designed to elevate not only your comfort but also your environment, it turns every workspace into a statement of style and efficiency.



Engineered for the modern professional, Chairitec adjustable desk frame transforms any workspace into a flexible and ergonomic environment. Its electric lift system allows smooth and precise height adjustments, giving users the freedom to alternate between sitting and standing throughout the day.



EASY HEIGHT ADJUSTMENT

Constructed with a durable steel frame and premium components, it delivers outstanding stability and long-lasting performance. The elegant, minimalist design integrates effortlessly into both home and office settings, creating a workspace that's as functional as it is refined.



Calisto standing desk brings ergonomic innovation and refined design together to create a healthier and more dynamic workspace, empowering you to work efficiently and comfortably in every position.

Standing Use:

Calisto is thoughtfully designed to combine comfort and versatility, making it the perfect choice for active work environments. Its adjustable height system allows seamless transitions between sitting and standing positions, helping to improve posture, reduce fatigue, and enhance overall productivity. With its sleek, modern form and smooth operation, Calisto delivers an effortless standing experience, bringing movement, balance, and energy to your daily workflow.



Sitting Use:

Calisto ensures the same level of ergonomic comfort and ease while seated. Its adjustable height feature allows users to fine-tune the desk to their ideal sitting position, maintaining proper posture and minimizing strain during long working hours. With its robust frame and seamless movement, Calisto provides a stable and refined workspace that enhances focus, comfort, and efficiency throughout the day.



OFFICE CHAIR PARTS PRODUCTS



Chairitec – Office Furniture Components

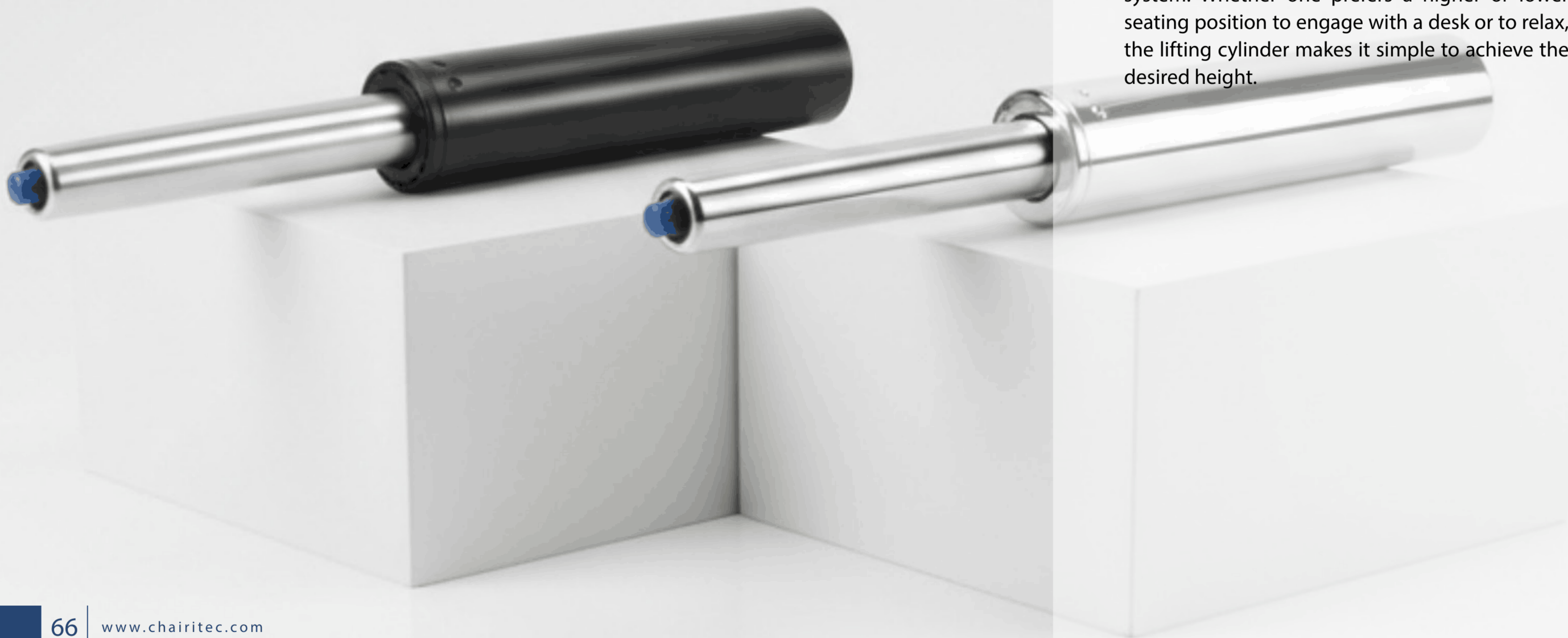
Chairitec provides high-quality office chair components designed to enhance comfort, stability, and overall performance. Our silent-rolling casters ensure smooth mobility, advanced mechanisms allow flexible recline and lock functions, and precision-engineered gas lifts deliver effortless height adjustment.

Each part is crafted for long-lasting reliability, helping create office furniture that supports productivity with modern ergonomic design.

GAS LIFT PRODUCTS

Introduction – Gas Lift

Adjustable chairs allow for height modification and 360-degree seat rotation, enabling users to customize their seating arrangement for optimal comfort. This capability is facilitated by a gas lift system. Whether one prefers a higher or lower seating position to engage with a desk or to relax, the lifting cylinder makes it simple to achieve the desired height.



GAS LIFT

Gas lift mechanisms by Chairitec, are integral to the manufacturing of various types of office chairs, swivel chairs, gaming chairs, and stools. This component is situated beneath the chair seat, linking the base to the chair's operational mechanism.



Gas lift cylinder is a component that facilitates the vertical movement of the chair seat through the gas pressure stored within the cylinder. Additionally, the rotation of the cylinder within the column enables the chair seat to rotate along its axis.

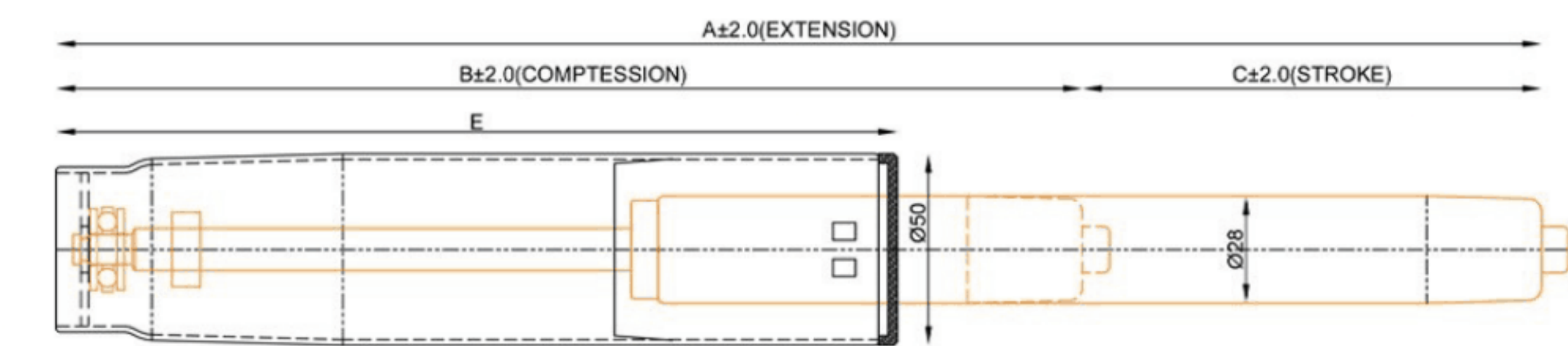


Various types of chair gas jacks are categorized based on the thickness of their cylinder and column. They are classified into four distinct classes according to the load capacity of the gas cylinders.

A thicker jack cylinder typically indicates a higher weight capacity. Office chair jacks are classified into four categories: Class 1, Class 2, Class 3, and Class 4.



Chairitec gas jack sizes vary primarily in the length of the cylinder and its stroke. The standard sizes for seat jacks are 80, 100, 120, 200, and 270 mm. The 80 mm jack is generally used for executive and gaming chairs, while the 100 mm and 120 mm jacks are employed in the production of diverse office chairs.



- A: Extension length of cylinder
- B: Compression length of cylinder
- C: Stroke
- E: Column length

Heavy-duty load

Gas jack by Chairitec, is offered in different sizes and classifications to fulfill the distinct needs of its users. They are produced following the DIN4550 quality testing standard. This standard outline precise testing methodologies and numerous technical parameters, ensuring that products adhering to these standards have superior quality.

With its exceptional features, the Chairitec gas lift enhances the stability of the chair and assures long-lasting performance.



- durable metal construction

A defining feature of this chair jack is their utilization of high-grade raw materials. The product is constructed with steel bearings and aluminum control valve.



- standard lift force

After undergoing the tests: fatigue, pressure, lift, unbalancing, lagging, and endurance in the production process, in addition to a reinforced sealed system, Chairitec gas jacks are characterized by a reliable lifespan.



- appropriate adaptations

The commitment to standard compliance and the incorporation of relevant adaptations in the assembly process have resulted in the user not perceiving any laxity during the use of the chair.

- universal compatibility

Chairitec lift cylinders meet the standard dimensional requirements for office chair jacks, which guarantees their compatibility with base and mechanisms that are conventionally produced, enabling their application with multiple chair types.



CASTER PRODUCTS

Introduction - Caster

Chairitec premium casters deliver smooth, silent mobility and exceptional durability for all types of office chairs. Designed with precision and available in multiple contemporary styles, they ensure effortless movement on any surface while maintaining long-lasting performance. Perfect for both light and heavy-duty use, Chairitec casters combine functionality, reliability, and modern style to elevate any workspace.

Caster CW-01

Featuring a simple and functional design, this caster is suitable for all types of office chairs. The 60 mm wheel diameter and PU ring ensure smooth and silent movement, making it ideal for use on various surfaces such as ceramic, parquet, and hardwood floors. Its 360-degree rotation provides effortless mobility and unrestricted movement in any direction.



Color: Black
Approx. Wheel Diameter: 60 mm
Application: Suitable for office chairs, executive chairs, task chairs, swivel chairs, and gaming chairs
Approx. Wheel Height: 65 mm
Pin Diameter: 11 mm
Stem Diameter: 25 mm

Caster CW-02

This caster, featuring an efficient design and a distinctive gray color, adds an elegant and cohesive touch to any office environment. The 60 mm diameter combined with a PU ring ensures smooth, silent movement without leaving marks or scratches on surfaces. Its 360-degree rotation guarantees effortless mobility and a comfortable everyday user experience.



Color: Gray
Approx. Wheel Diameter: 60 mm
Application: Suitable for office chairs, executive chairs, task chairs, swivel chairs, and gaming chairs
Approx. Wheel Height: 65 mm
Pin Diameter: 11 mm
Stem Diameter: 25 mm

Caster CW-03

With its modern design and clean details, this caster is a refined choice for office chairs. The wide ABS rim with chrome plating not only enhances its elegant appearance but also ensures smooth and silent movement while preventing scratches on surfaces. When paired with a chrome-plated steel base and gas lift, it creates a perfectly coordinated and stylish look. The 360-degree rotation provides effortless mobility and a comfortable experience in everyday use.



Color: Black- Chrome ABS ring
Approx. Wheel Diameter: 60 mm
Application: Suitable for office chairs, executive chairs, task chairs, swivel chairs, and gaming chairs
Approx. Wheel Height: 64 mm
Pin Diameter: 11 mm
Stem Diameter: 25 mm

Caster CW-04

With its sleek and modern design, this caster brings a stylish and distinctive touch to office chairs. The slim ABS strip with chrome plating creates a lighter, visually appealing appearance while ensuring smooth and silent movement. Its robust construction and 360-degree rotation provide effortless and enjoyable mobility. Perfectly coordinated with a chrome-plated base and gas lift, this caster forms a seamless and sophisticated combination.



Color: Black- Chrome ABS ring
Approx. Wheel Diameter: 60 mm
Application: Suitable for office chairs, executive chairs, task chairs, swivel chairs, and gaming chairs
Approx. Wheel Height: 68 mm
Pin Diameter: 11 mm
Stem Diameter: 26 mm



360-DEGREE ROTATION

Caster CW-05

This scooter-style caster, featuring a transparent body and sturdy construction, ensures exceptionally smooth movement. Ideal for office chairs on carpets and hard floors, its 360-degree rotation allows effortless and unrestricted mobility. The transparent rim enables seamless coordination with chairs of any color, creating a unified look. Its robust design guarantees durability and reliable performance in everyday use.



Color: Transparent
Approx. Wheel Diameter: 75 mm
Application: Suitable for office chairs, executive chairs, task chairs, swivel chairs, and gaming chairs
Approx. Wheel Height: 95 mm
Pin Diameter: 11 mm
Stem Diameter: 36 mm

Caster CW-06

CW-06 gray scooter-style caster, featuring an integrated rim and body design, combines striking aesthetics with exceptional durability. Its smooth and silent movement, 360-degree rotation, and outstanding longevity provide a comfortable and reliable experience for office chairs. Suitable for all surfaces, particularly hard floors, this gray caster is an ideal choice for those seeking to incorporate the next generation of scooter-style wheels into their office seating.



Color: Gray- Black
Approx. Wheel Diameter: 60 mm
Application: Suitable for office chairs, executive chairs, task chairs, swivel chairs, and gaming chairs
Approx. Wheel Height: 77 mm
Pin Diameter: 11 mm
Stem Diameter: 20 mm

Caster CW-07

Red scooter-style caster, featuring an integrated rim and body design, combines high durability with a modern appearance. Its smooth and silent movement, along with 360-degree rotation, ensures effortless mobility across various surfaces. Suitable for office environments and gaming chairs, this next-generation scooter-style caster offers an innovative choice for a distinctive and professional experience.



Color: Red - Black
Approx. Wheel Diameter: 60 mm
Application: Suitable for office chairs, executive chairs, task chairs, swivel chairs, and gaming chairs
Approx. Wheel Height: 77 mm
Pin Diameter: 11 mm
Stem Diameter: 20 mm

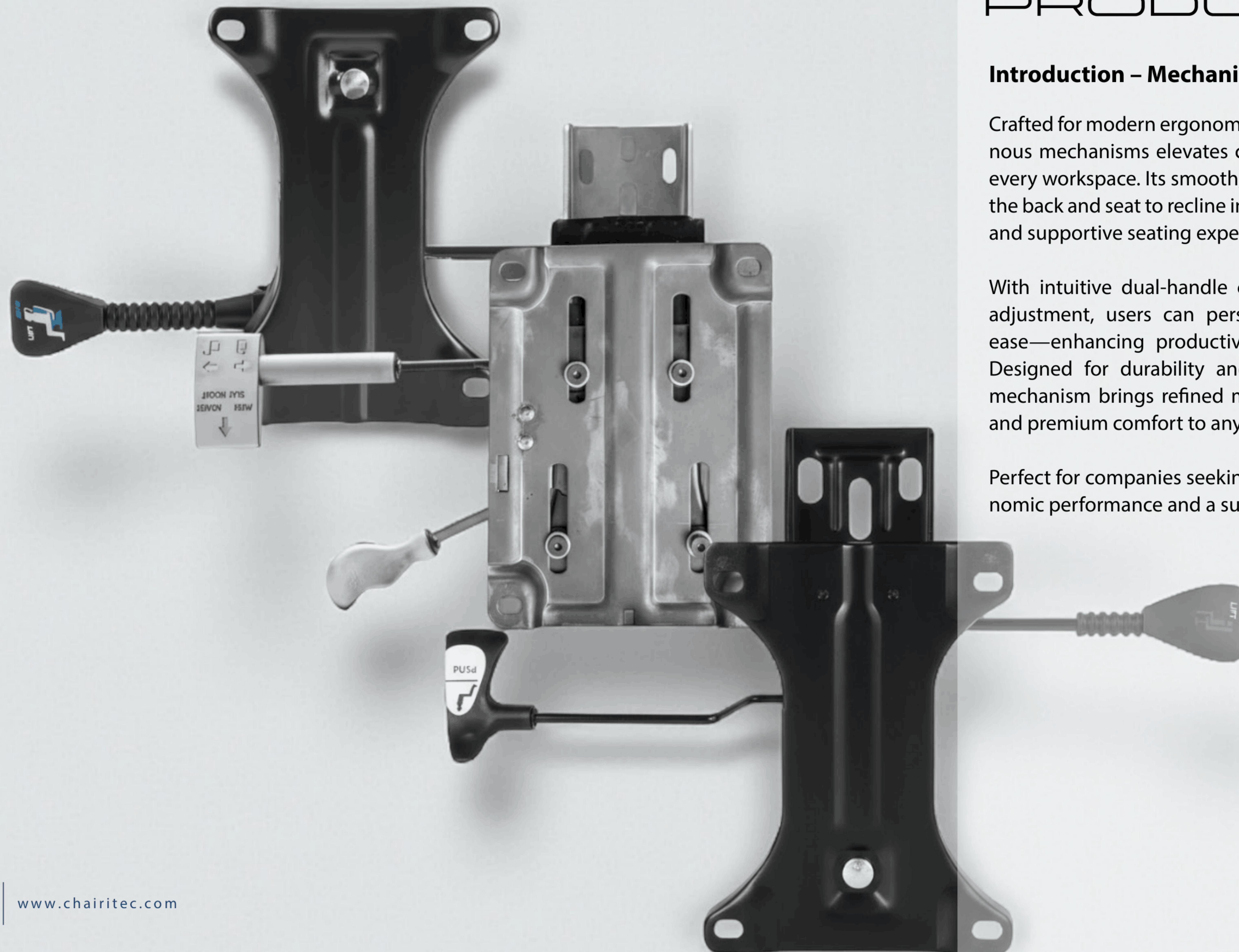
MECHANISM PRODUCTS

Introduction - Mechanism

Crafted for modern ergonomic seating, Chairitec synchronous mechanisms elevates comfort and performance in every workspace. Its smooth, balanced movement allows the back and seat to recline in harmony, creating a natural and supportive seating experience throughout the day.

With intuitive dual-handle control and seamless angle adjustment, users can personalize their posture with ease—enhancing productivity while reducing fatigue. Designed for durability and long-term reliability, this mechanism brings refined motion, exceptional stability, and premium comfort to any office chair.

Perfect for companies seeking a higher standard of ergonomic performance and a superior sitting experience.



Chairitec CM-01:

(Chairitec Synchronous Mechanism with Bracket)

The Chairitec synchronous mechanism with bracket is engineered to deliver advanced ergonomic performance and long-term durability for modern office chairs. Constructed from 3.0 mm and 2.75 mm metal plates, it ensures superior strength and stability, while black electrostatic powder-coated finish provides excellent resistance to corrosion and daily wear.

With overall dimensions of 200 × 148 × 12 mm and a weight of 3.4 kg, this mechanism offers a solid structure designed to integrate seamlessly into a wide range of chair models.



Key ergonomic functions include:

- Back Recline Adjustment up to 130° for enhanced comfort
- Tension Control to adjust reclining resistance
- Multi-Lock Positions allowing the user to lock the backrest at any angle
- Soft Return for smooth and safe movement

Main technical components:

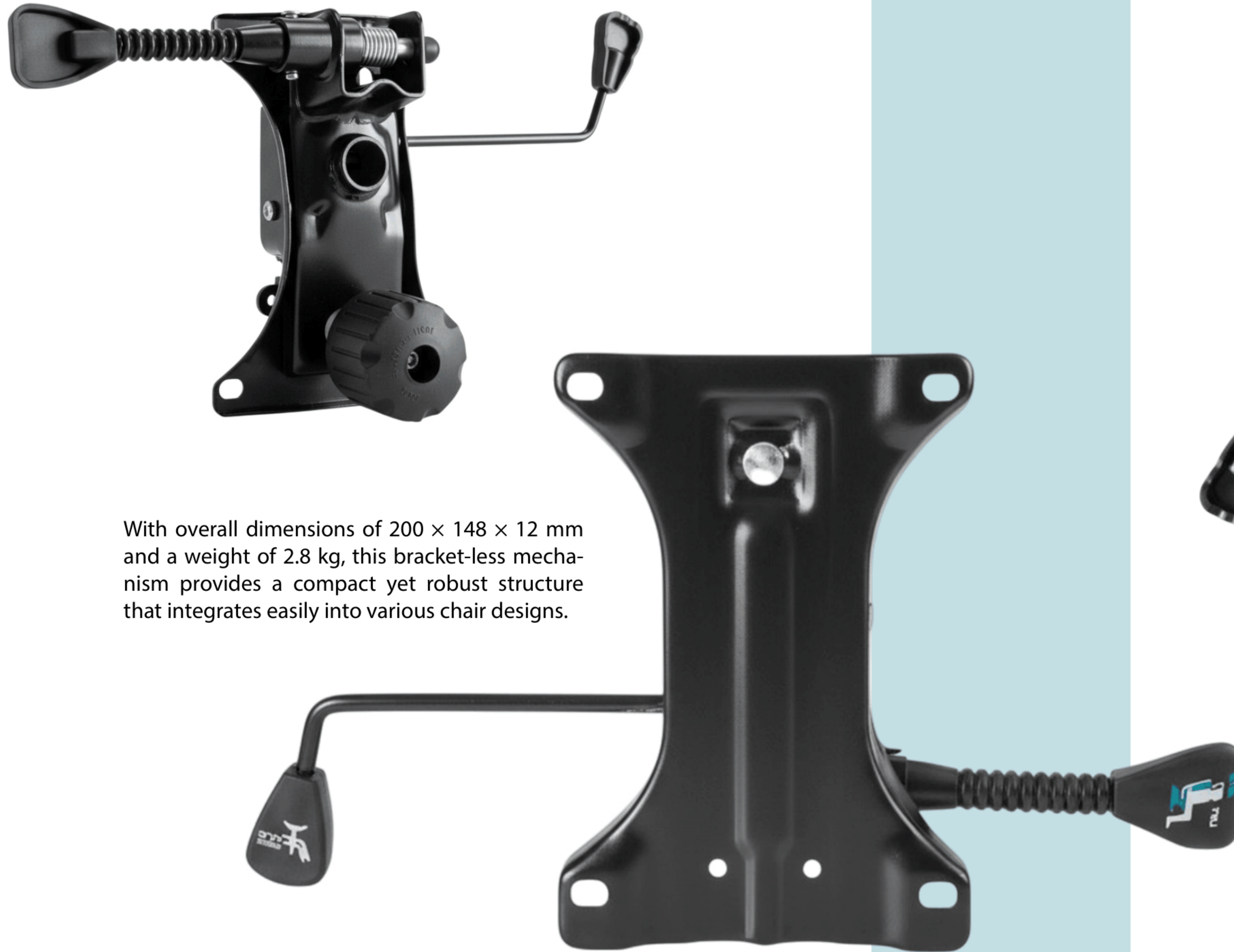
- 2-Handle Control Levers for easy operation
- 8 mm Tension Spring / Adjustment Screw
- Durable Bearings and Bushings ensuring smooth, quiet performance
- Integrated Gas Lift Socket compatible with standard cylinders
- Maximum Load Capacity: 200 kg

This mechanism is ideal for executive, task, and ergonomic chairs requiring precise motion control, secure locking options, and high structural integrity—making it a reliable choice for both corporate and professional seating solutions.

Chairitec CM-02

(Chairitec Synchronous Mechanism (Bracket-less))

The Chairitec synchronous mechanism is engineered for high-performance office chairs, offering smooth operation and long-lasting durability. Made from 2.75 mm metal plates and finished with a black electrostatic powder-coated surface, it delivers excellent resistance to wear, corrosion, and daily use.



With overall dimensions of 200 × 148 × 12 mm and a weight of 2.8 kg, this bracket-less mechanism provides a compact yet robust structure that integrates easily into various chair designs.



It supports all essential ergonomic functions, including:

- Back Recline Adjustment up to 90°
- Tension Control for adjusting reclining resistance
- Multi-Lock Positions allowing lock at any angle
- Soft Return for safer and smoother motion



Key technical components include:

- 2-Handle Control Levers
- 8 mm Tension Spring / Adjustment Screw
- Integrated Bearings and Bushings for smooth, quiet movement
- Gas Lift Socket compatible with standard cylinders
- Maximum Load Capacity: 200 kg

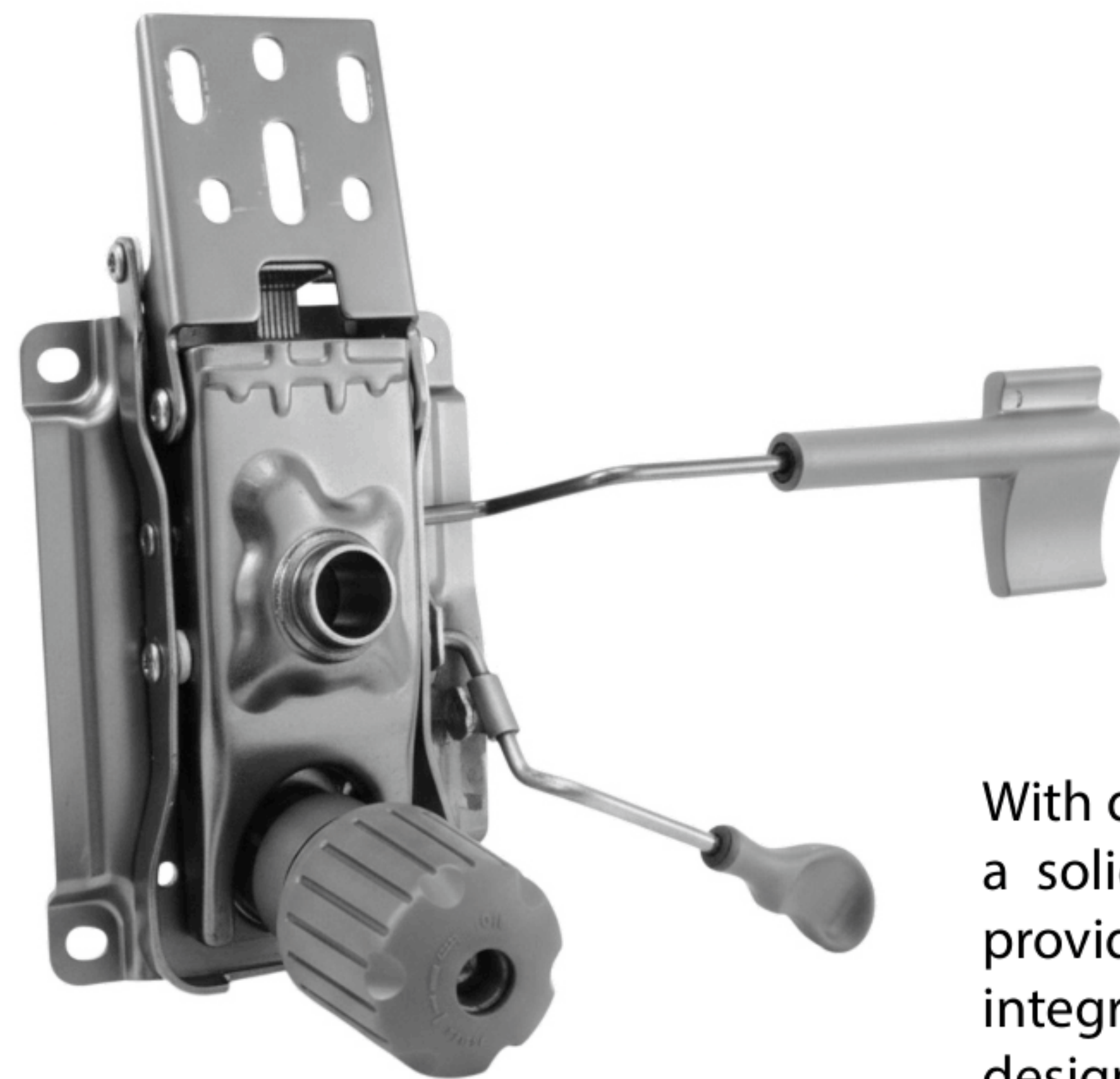
This mechanism is ideal for executive, task, and ergonomic office chairs requiring reliable performance, precise adjustment, and long-term structural strength.

Chairitec CM-03:

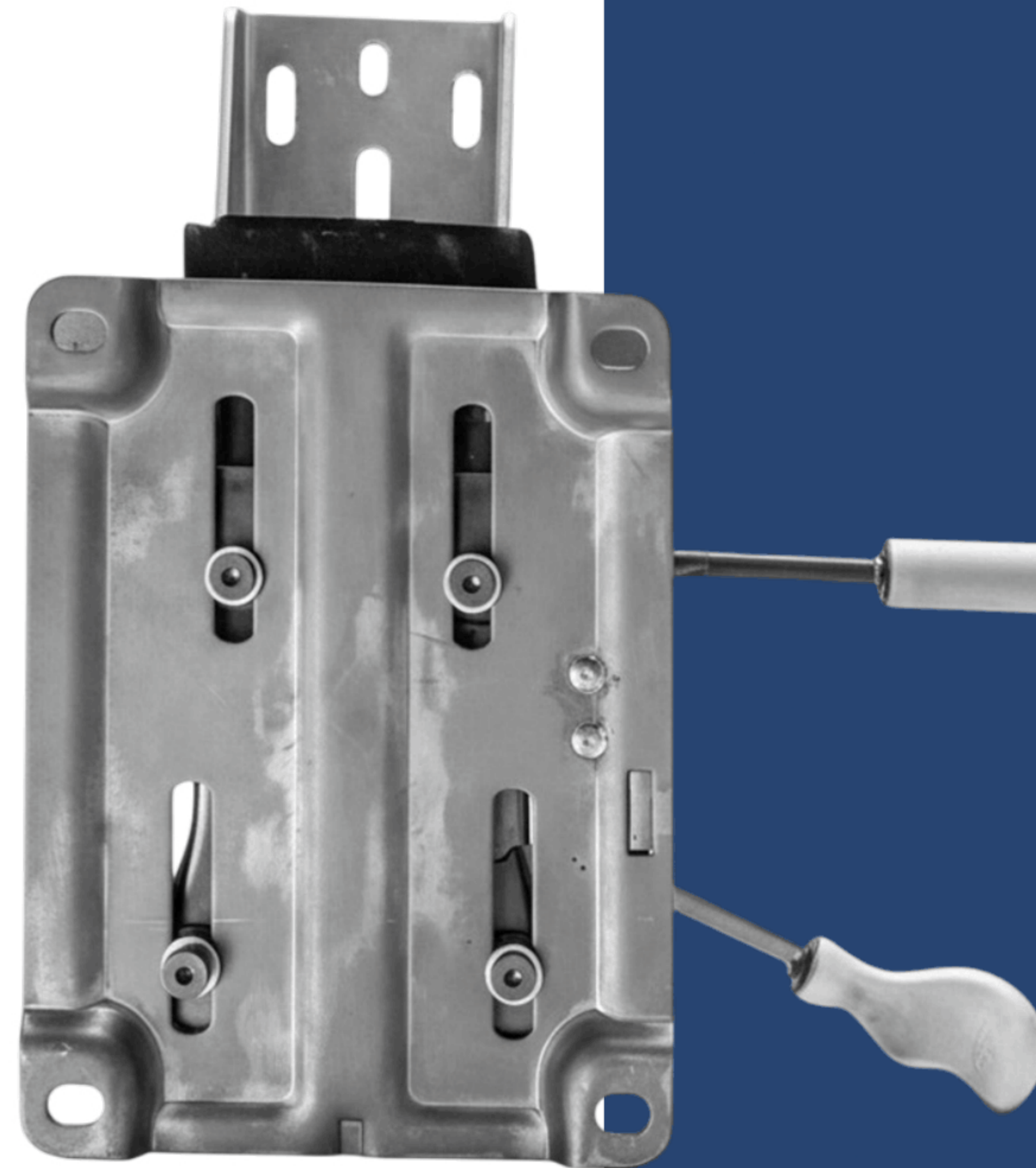
(Chairitec Sliding Synchronous Mechanism with Bracket)

The Chairitec sliding synchronous mechanism represents the highest level of ergonomic engineering, offering a level of adjustability rarely found in modern office seating. Built from 3.0 mm high-strength metal plates and finished with a durable black electrostatic powder-coated surface, it delivers exceptional durability, precision, and long-term performance.

What makes this mechanism truly unique is its sliding seat-back adjustment system, which allows users to fine-tune the distance between the seat and backrest, ensuring personalized comfort for different body shapes and sitting preferences—an essential feature for premium ergonomic chairs.

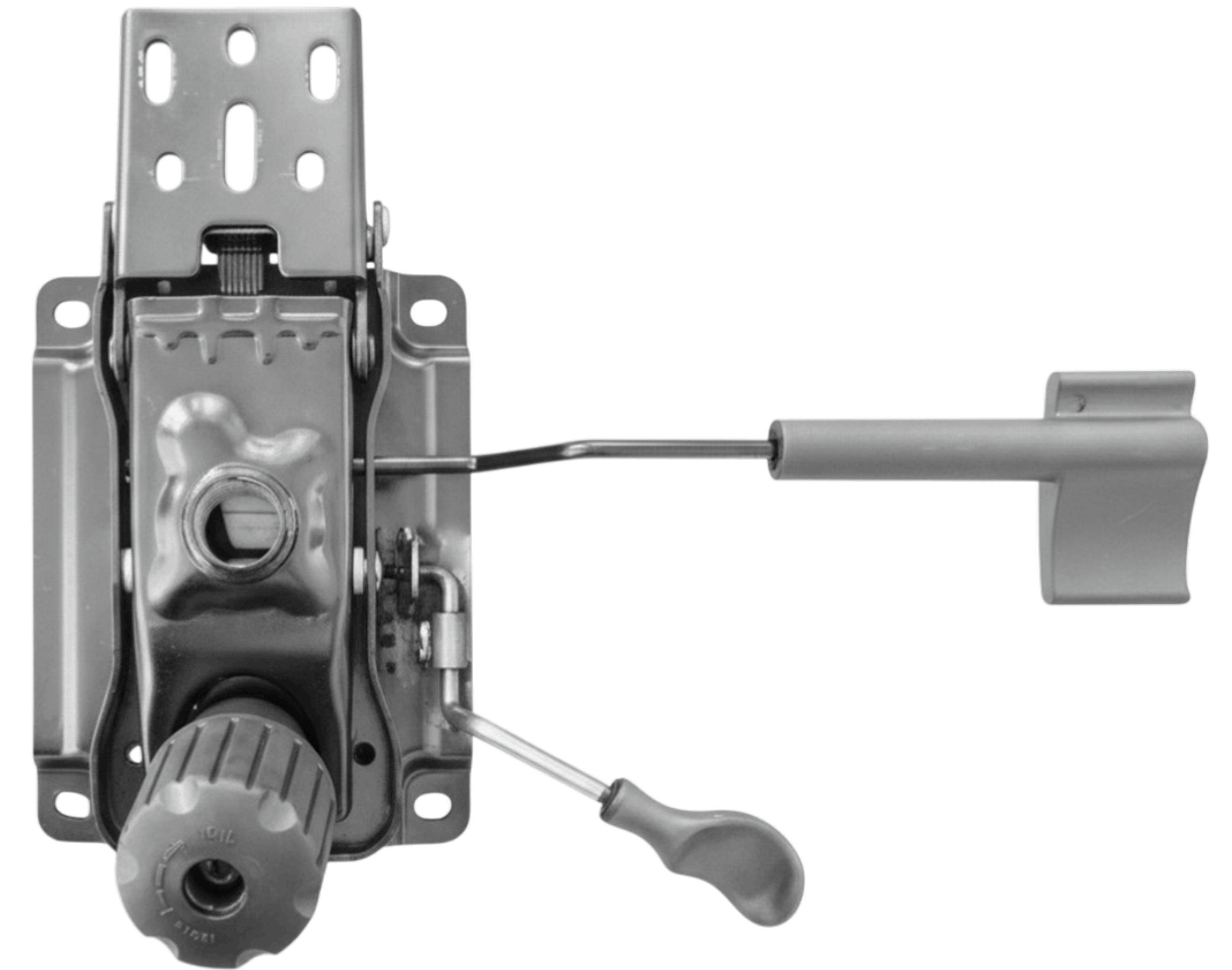


With dimensions of 200 × 148 × 14 mm and a solid weight of 4.2 kg, the mechanism provides superior structural stability while integrating seamlessly with a range of chair designs equipped with a bracket.



Advanced functional features include:

- 130° Back Recline Adjustment for enhanced ergonomic comfort
- Tension Control to regulate reclining resistance
- 4-Position Multi-Lock System for secure support in various postures
- Soft Return Mechanism for smooth and safe motion



Core technical components:

- Dual-Handle Control Levers for intuitive operation
- 8 mm Tension Spring / Adjustment Screw
- High-quality Bearings and Bushings ensuring smooth, silent performance
- Integrated Gas Lift Socket for compatibility with standard cylinders
- Maximum Load Capacity: 200 kg

This sliding synchronous mechanism is designed for premium executive and ergonomic chairs where adaptability, durability, and user-specific customization are essential. It offers a refined seating experience that elevates both comfort and performance in high-end work environments.